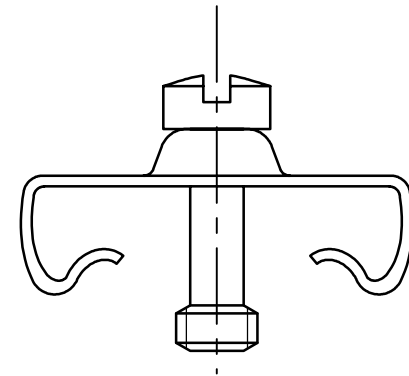


NOTES

Pieces assembly
 Packaging : per 100 piece
 Material : steel
 Plating : tin .
 Thread : UNC 4.40

VIEW ASSEMBLY



Part number	863009AT
Part number	863009ATLF

European Views

www.fciconnect.com		surface ISO 1302	<input checked="" type="checkbox"/>	tolerance std ISO 406 ISO 1101	projection 	mm
TOLERANCES UNLESS OTHERWISE SPECIFIED						
Dr	JARRY	1999/07/05	ANGULAR	0.X	±0.1	size A3
Eng	PESSON	1999/07/05	LINEAR	0.XX	±0.1	Scale 5
Chr	LEGARE	1999/07/05	0.XX' ±2'	0.XXX	±0.1	ECN LS06-0097
Appr	LEGARE	1999/07/05	Product family	D-SUB		Spec ref -
		title MALE SCREW LOCKS			Rev. C	
catalog no		9 a 37 pts (P et S)			C01-8655-0713	
		CUSTOMER			sheet 1 of 1	

NOTE:RoHS INFORMATIONS

- The "LF" products meet European union Directives and other country regulations as described in 65-22-008.
- Plating Sn (pure bright) over copper
- Packaging spec: see 65-14-920

rev	ecn no	dr	date
A	-	JAR	1999/07/05
B	LS05-0026	MPE	2005/07/08
C	LS06-0097	LGO	2006/07/28
-	-	-	-
-	-	-	-
-	-	-	-
-	-	-	-



Copyright FCI.